



Matrix now has a square version and comes with LED sources to offer an even more technologically advanced lighting fixture with an appealing design. Apart from the high colour rendering LEDs it is available in different colour combinations (white, black, metallic silver). Stores should have a specific, well recognisable style, while being capable of always renovating and proposing new and attractive environments and Matrix LED is the perfect solution. Matrix Focus is the brand new completely adjustable spotlight for an extraordinarily effective lighting system that adds value to rooms and objects.

Housing: in die-cast aluminium. Front in black, white or transparent polycarbonate material.

Optical: die-cast aluminum with anodized heatsink.

Equipment: supplied with universal adapter in track mounted versions. Complete with electronic power supply unit separated from the LEDs.

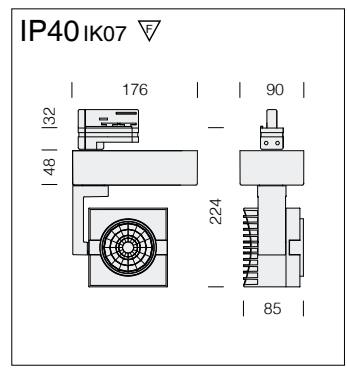
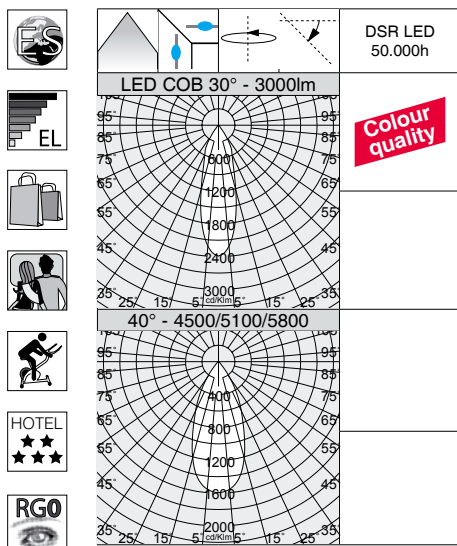
Upon request: 20° or 54° beam angle.

LED: high-efficiency light sources (CRI 92). Luminous flux maintenance L70B50: 50.000h.
Photobiological safety class: Exempt group



The right lighting and fixture play a vital role in facilitating sales. This is the reason why LED fixtures with a **CRI>90** are being requested. Therefore, the current trend is geared towards the manufacturing of more flexible fixtures, which also emit an excellent quality of light, while guaranteeing remarkable energy savings and lower maintenance costs.

The Colour Rendering Index (**CRI**) indicates how truthfully the artificial light source is able to reproduce the colours of objects. It varies from a range of **0 to 100**, where **0 represents the minimum** and **100 is the maximum**. Daylight is the best source of light from a physiological point of view because it contains the full colour spectrum. Therefore, a lamp with a high colour rendering index is very important to ensure the wellbeing and comfort of the occupants of a room and it is absolutely necessary in rooms where good visibility is required.

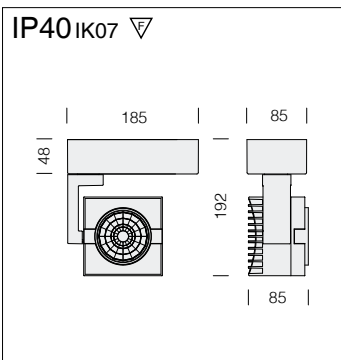
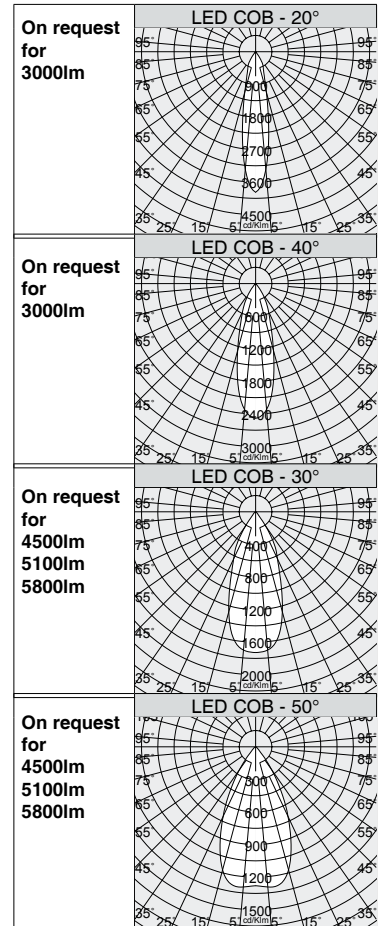


Reflector: in high efficiency and anti-glare die-cast aluminium with anodised heat sink.
LED: luminous flux maintenance L70B50: 50.000h.
 Power factor >0,95



FOCUS - universal adapter					
		CLD CELL		LED (Ta=25°C)	
wattage	colour	weight	code	W	K - ølm - CRI - degrees
LED COB 26W	white	2,00	22103410-00	29	3000K - 3000lm - CRI 92 - 30°
	black		22103430-00		
	m. silver		22103470-00		
LED COB 36W	white	2,00	22103412-00	40	3000K - 4500lm - CRI 92 - 40°
	black		22103432-00		
	m. silver		22103472-00		
LED COB 42W	white	2,00	22103414-00	46	3000K - 5100lm - CRI 92 - 40°
	black		22103434-00		
	m. silver		22103474-00		
LED COB 49W	white	2,00	22103416-00	53	3000K - 5800lm - CRI 92 - 40°
	black		22103436-00		
	m. silver		22103476-00		

On request: CLD CELL-D (1-10V) and CLD CELLD-DIG (DALI) versions.

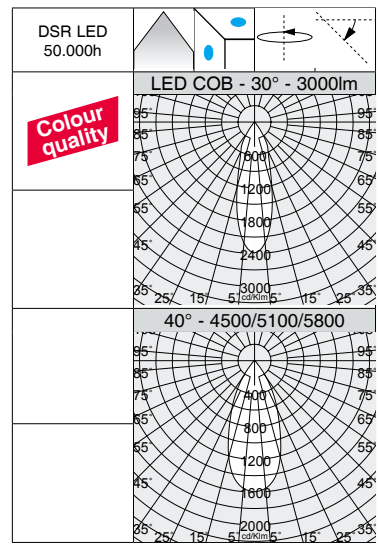


CRI 92



Reflector: in high efficiency and anti-glare die-cast aluminium with anodised heat sink.

LED: luminous flux maintenance L70B50: 50.000h. Power factor >0.95



-
-
-
-
-
- HOTEL** ★★
-

new

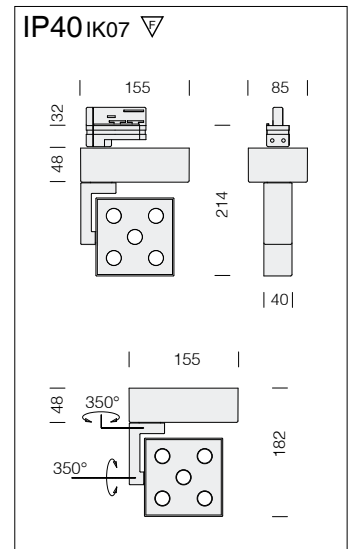
Focus - base					
		CLD CELL-D (1-10V)		LED (T _a =25°C)	
wattage	colour	weight	code	W	K - ølm - CRI - degrees
LED COB 26W	white	2,00	22203410-00	29	3000K - 3000lm - CRI 92 - 30°
	black		22203430-00		
	m. silver		22203470-00		
LED COB 36W	white	2,00	22203412-00	40	3000K - 4500lm - CRI 92 - 40°
	black		22203432-00		
	m. silver		22203472-00		
LED COB 42W	white	2,00	22203414-00	46	3000K - 5100lm - CRI 92 - 40°
	black		22203434-00		
	m. silver		22203474-00		
LED COB 49W	white	2,00	22203416-00	53	3000K - 5800lm - CRI 92 - 40°
	black		22203436-00		
	m. silver		22203476-00		

On request: CLD CELLD-DIG (DALI) version.





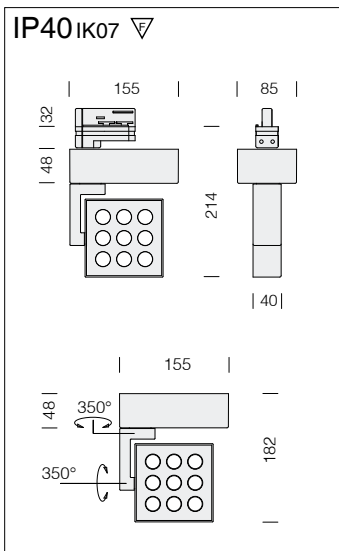
DSR LED
50.000h



Matrix Q5 Spot - universal adapter					
		CLD CELL		LED (Ta=25°C)	
wattage (1A)	colour	weight	code	W	K - ølm (1A) - CRI
LED 5x3W	white	1,80	22101416-00	17	4000K - 1550lm - CRI 80
	black		22101436-00		
	m. silver		22101476-00		

Matrix Q5 Spot - base					
		CLD CELL-D (1-10V)		LED (Ta=25°C)	
wattage (1A)	colour	weight	code	W	K - ølm (1A) - CRI
LED 5x3W	white	1,80	22201416-00	17	4000K - 1550lm - CRI 80
	black		22201436-00		
	m. silver		22201476-00		

LED: high-efficiency light sources.
Luminous flux maintenance
L70B50: 50.000h.
Power factor >0.9



LED: high-efficiency light sources.
Luminous flux maintenance L70B50: 50.000h.
Power factor >0.95

Matrix Q9 Spot - universal adapter					
		CLD CELL		W	LED (Ta=25°C)
wattage (1A)	colour	weight	code		K - ølm (1A) - CRI
LED 9x3W	white	1,80	22201410-00	30	4000K - 2900lm - CRI 80
	black		22201430-00		
	m. silver		22201470-00		

Matrix Q9 Spot - base					
		CLD CELL-D (1-10V)		W	LED (Ta=25°C)
wattage (1A)	colour	weight	code		K - ølm (1A) - CRI
LED 9x3W	white	1,80	22201410-00	30	4000K - 2900lm - CRI 80
	black		22201430-00		
	m. silver		22201470-00		