



Whether in the round or square version, this recessed LED spotlight is the perfect solution for installations that are designed to hide their physical presence once fitted. These spotlights are shaped to blend perfectly into the false ceilings where they are fitted. Moreover, thanks to the high **IP65** protection rating, they can be easily installed in any type of space, including outdoors, to create amazing light effects.

**Housing:** in die-cast aluminium with heat sink.

**Coating:** epoxy polyester powder coating resistant to UV rays.

**Equipment:** silicone rubber protection gasket compliant with French low-energy building standards (**BBC**).

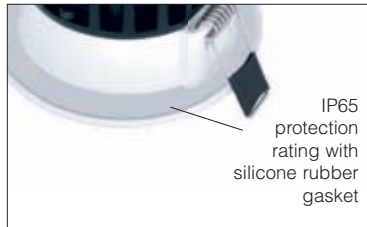
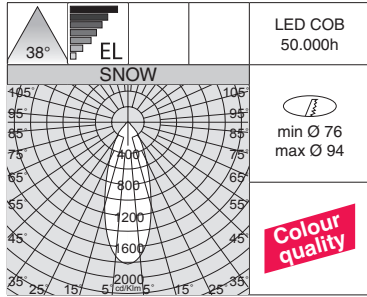
**Standards:** manufactured pursuant to EN 60598-1-CEI 34.21 and with a degree of protection pursuant to EN 60529.

**LED:** Luminous flux maintenance 70% 50.000h (L70B50). Power factor >0.9.  
Photobiological safety class: Exempt group.

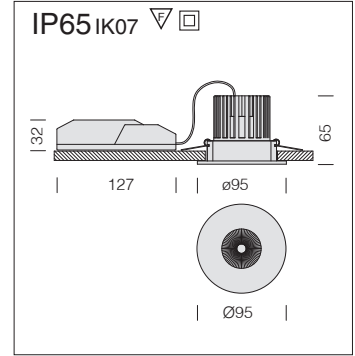




FIXED RECESSED  
DOWNLIGHTS



Conformity with BBC regulations (Bâtiment Basse Consommation).

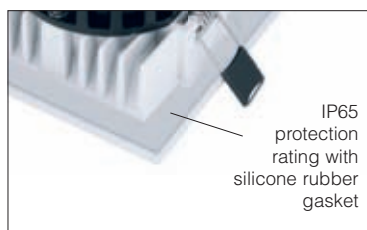
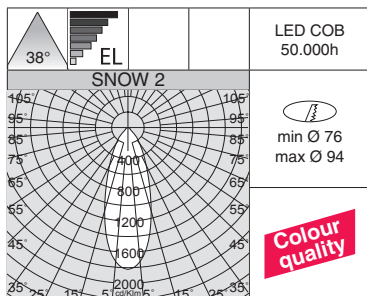


**Reflector:** screened anti-glare. With lens for better light distribution.

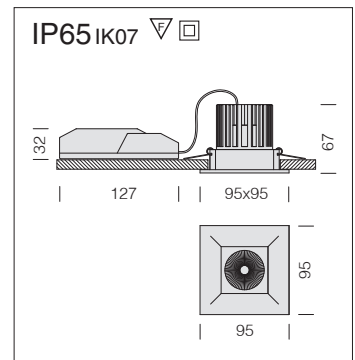
**LED:** Luminous flux maintenance 70% 50.000h (L70B50).

Snow 1					
		CLD CELL		W	LED (Ta=25°C)
wattage	colour	weight	code		K - ølm - CRI - degrees
LED COB 11W	white	0,30	22082610-00	13	3000K - 1000lm - CRI 90 - 38°
	silver		22082670-00		

Equipped with cable L=1,5m , cable gland and steel screws with special anticorrosion treatment.



Conformity with BBC regulations (Bâtiment Basse Consommation).

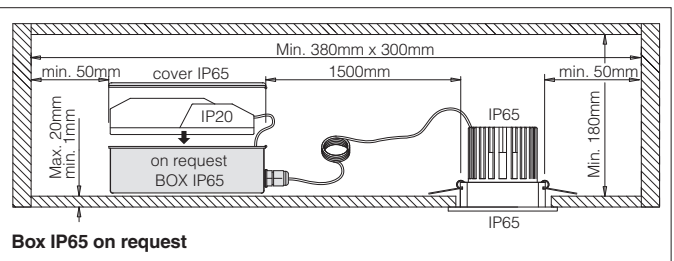
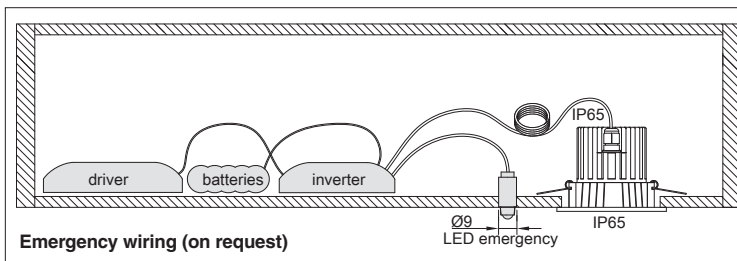


**Reflector:** screened anti-glare. With lens for better light distribution.

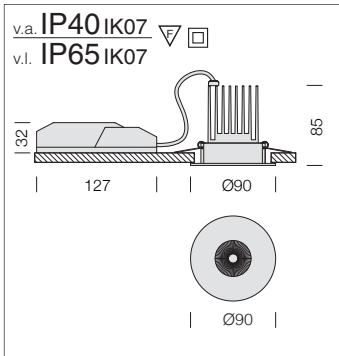
**LED:** Luminous flux maintenance 70% 50.000h (L70B50).

Snow 2					
		CLD CELL		W	LED (Ta=25°C)
wattage	colour	weight	code		K - ølm - CRI - degrees
LED COB 11W	white	0,30	22082710-00	13	3000K - 1000lm - CRI 90 - 38°
	silver		22082770-00		

Equipped with cable L=1,5m , cable gland and steel screws with special anticorrosion treatment.







**Optics:** anti-glare, screened optics.

**LED:** Luminous flux maintenance 70% 50.000h (L70B50).



LED COB 50.000h	38°	DIMM	
<b>SNOW 3</b>			
min Ø 70 max Ø 85	1	Ø 0,78	1499
	2	Ø 1,57	375
Colour quality	3	Ø 2,35	167
	m		lux



**Conformity with BBC regulations**  
(Bâtiment Basse Consommation).

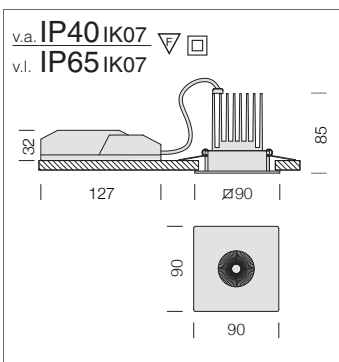
<b>Snow 3 - DIMM</b>						
		CLD CELL-D (IGBT)			LED (Ta=25°C)	
wattage	colour	weight	code	W	K - ølm - CRI - degrees	
<b>LED COB 9W</b>	white	0,30	22082613-00	12	3000K - 870lm - <b>CRI 90</b> - 38°	
			22082614-00		4000K - 900lm - <b>CRI 90</b> - 38°	

**2. On request:** chrome version. IGBT phase cutting dimming.

ES  
HOTEL  
★★★  
RGO



new

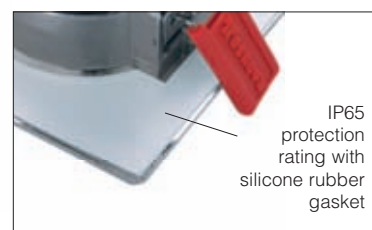


**Optics:** anti-glare, screened optics.

**LED:** Luminous flux maintenance 70% 50.000h (L70B50).



LED COB 50.000h	38°	DIMM	
<b>SNOW 4</b>			
min Ø 70 max Ø 85	1	Ø 0,78	1499
	2	Ø 1,57	375
Colour quality	3	Ø 2,35	167
	m		lux



**Conformity with BBC regulations**  
(Bâtiment Basse Consommation).

<b>Snow 4 - DIMM</b>						
		CLD CELL-D (IGBT)			LED (Ta=25°C)	
wattage	colour	weight	code	W	K - ølm - CRI - degrees	
<b>LED COB 9W</b>	white	0,30	22082713-00	12	3000K - 870lm - <b>CRI 90</b> - 38°	
			22082714-00		4000K - 900lm - <b>CRI 90</b> - 38°	

**2. On request:** chrome version. IGBT phase cutting dimming.

ES  
HOTEL  
★★★  
RGO



new

Protection guard for Snow 3-4	
black	22095130-00
For insulation in the ceiling.	

