



Lex LED is a new series of recessed spotlights that combines advanced technology and energy savings with an easy-to-install, low cost, robust and durable fixture..

**Housing:** in die cast aluminium.

**Coating:** Power-coated with a UV-resistant polyester epoxy paint.

**Standard supply:** Includes adjustable steel bracket.

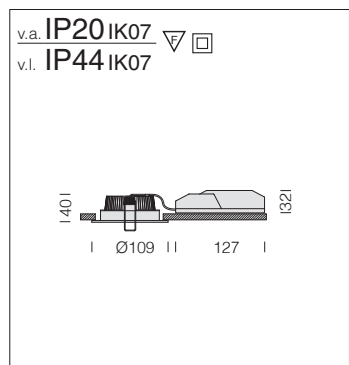
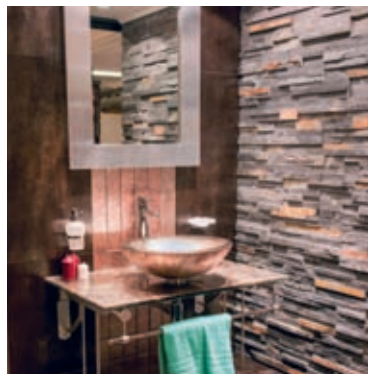
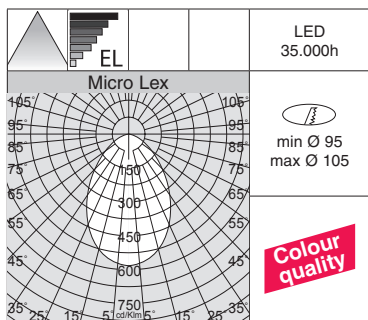
**Regulations:** Manufactured in accordance with EN 60598-1-CEI 34.21 standards. Degrees of protection in accordance with EN60529 standards.





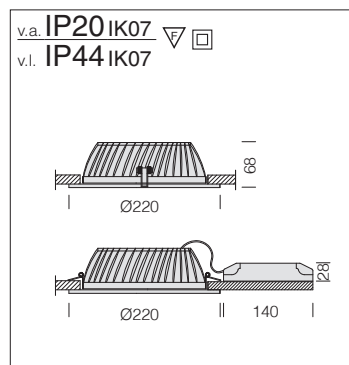
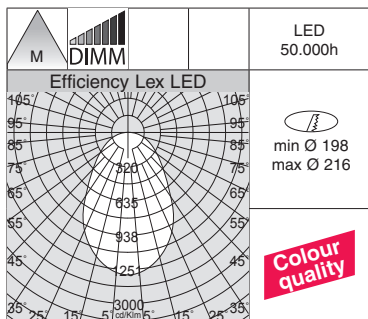
The right lighting and fixture play a vital role in facilitating sales. This is the reason why LED fixtures with a **CRI>90** are being requested. Therefore, the current trend is geared towards the manufacturing of more flexible fixtures, which also emit an excellent quality of light, while guaranteeing remarkable energy savings and lower maintenance costs.

The Colour Rendering Index (**CRI**) indicates how truthfully the artificial light source is able to reproduce the colours of objects. It varies from a range of **0 to 100**, where **0 represents the minimum** and **100 is the maximum**. Daylight is the best source of light from a physiological point of view because it contains the full colour spectrum. Therefore, a lamp with a high colour rendering index is very important to ensure the wellbeing and comfort of the occupants of a room and it is absolutely necessary in rooms where good visibility is required.



**LED:** Luminous flux maintenance L70B50: 35.000h.  
Power factor >0.9

Micro Lex					
		CLD CELL		LED (Ta=25°C)	
wattage	colour	weight	code	W	K - ølm - CRI
LED 10W	white	0,30	22173210-00	13	4000K - 940lm - <b>CRI 90</b>
			22173213-00		3000K - 900lm - <b>CRI 90</b>

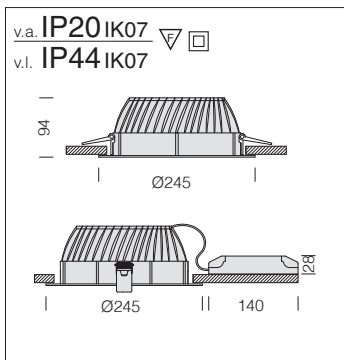


**LED:** Luminous flux maintenance L70B50: 50.000h.  
Power factor >0.9

Efficiency Lex LED - DIMM					
		CLD CELL-D (IGBT)		LED (Ta=25°C)	
wattage	colour	weight	code	W	K - ølm - CRI
LED 18W	white	0,75	22173415-00	20	4000K - 2290lm - <b>CRI 90</b>
			22173416-00		3000K - 2250lm - <b>CRI 90</b>

Dimmable version phase cutting IGBT dimming.  
The shield consists of a laser-cut slab that serves as a lens for its effect of concentric circles. These decorations create a pattern with variable distances; the closer they get to the centre, the closer they come together, thereby achieving excellent visual comfort without glare.



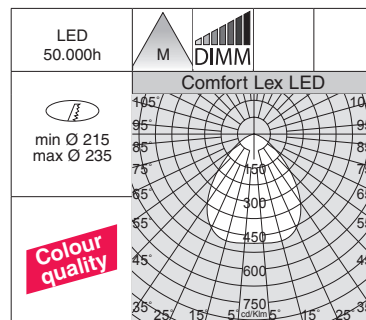


**CRI 90**



**Diffuser:** panel in PMMA, with laser silk-screening suitably dimensioned based on the power level of the LED. With shield.

**LED:** Luminous flux maintenance L70B50: 50.000h. Power factor >0.9

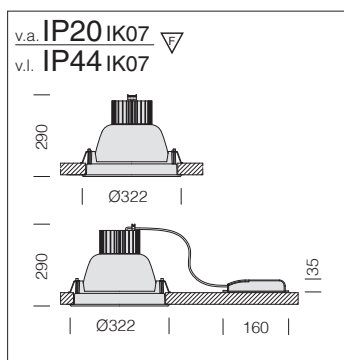


Comfort Lex LED - shield - DIMM						
		CLD CELL-D (IGBT)		W	LED (Ta=25°C)	
wattage (700mA)	colour	weight	code	20	K - ølm 700mA - CRI	
<b>LED 18W</b>	white	1,00	22173413-00		4000K - 2290lm - <b>CRI 90</b>	
			22173412-00		3000K - 2250lm - <b>CRI 90</b>	

Dimmable version phase cutting IGBT dimming.



FIXED RECESSED DOWNLIGHTS

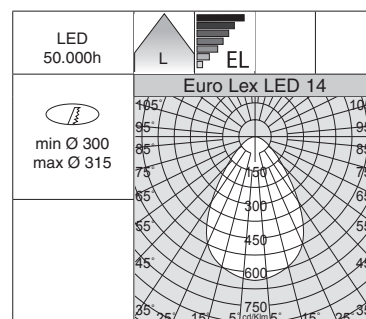


**8000lm**



**Diffuser:** panel in PMMA, 6 mm thick, with laser silk-screening suitably dimensioned based on the power level of the LED.

**LED:** Luminous flux maintenance L70B50: 50.000h. Power factor >0.92

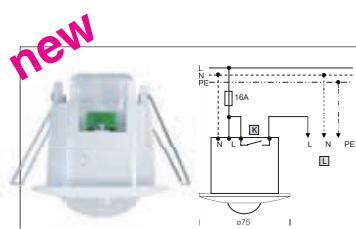


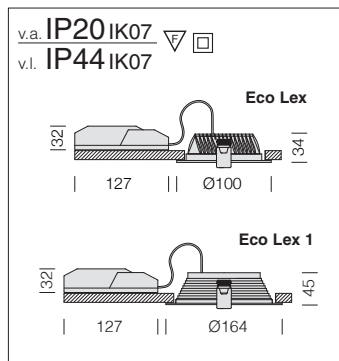
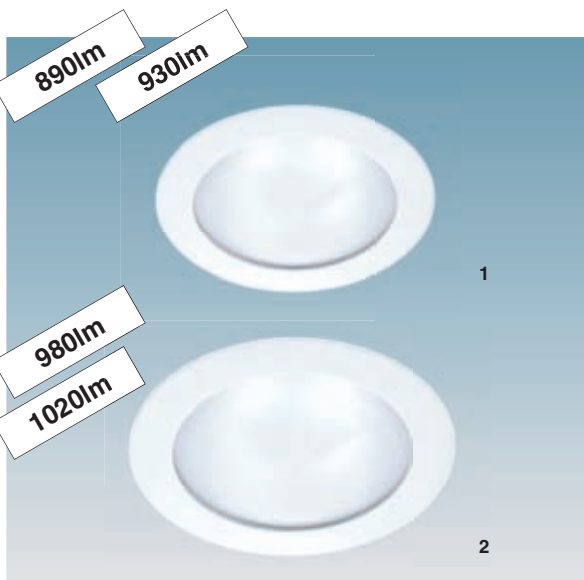
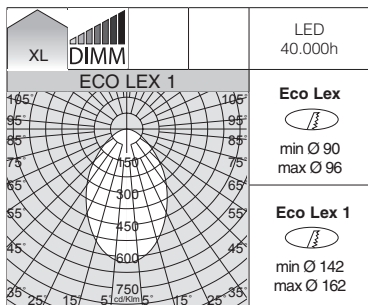
Euro Lex LED 14						
		CLD CELL		W	LED (Ta=25°C)	
wattage (1750mA)	colour	weight	code	73	K - ølm 1750mA - CRI	
<b>LED COB 67W</b>	white	1.00	22089710-00		4000K - 8000lm - CRI>80	



Presence and light detector	
white	22099059-00

Ceiling presence and light detector. The sensor should be mounted 2.2 - 4 m above the area to be scanned. For more info see chapter: "Dimmable fixture control kit".



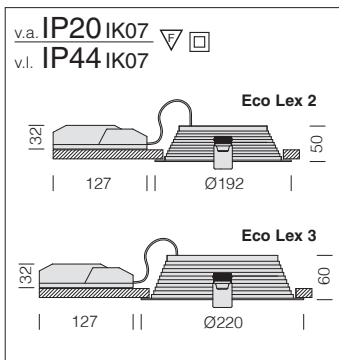
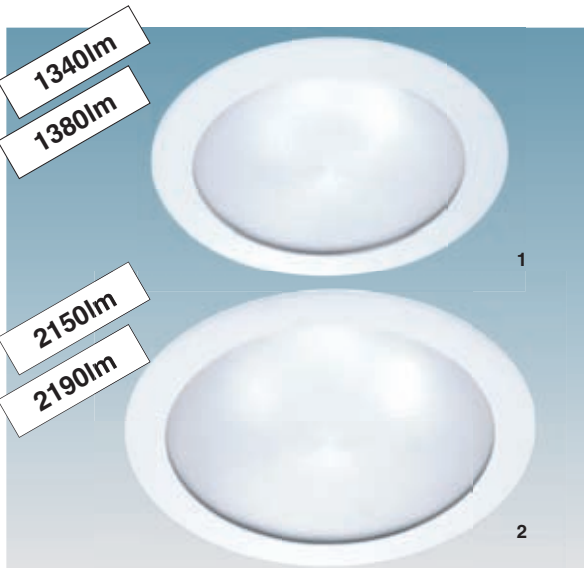
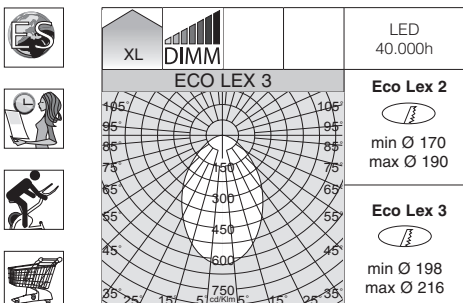


**Housing:** in die cast aluminium.  
**LED:** Luminous flux maintenance L70B50: 40.000h.  
 Power factor >0.9

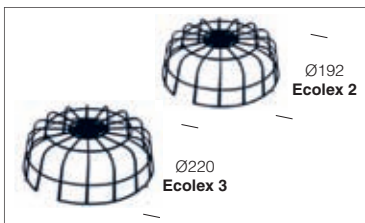
Eco Lex - DIMM - (1)					
		CLD CELL-D (IGBT)		LED (Ta=25°C)	
wattage	colour	weight	code	W	K - ølm - CRI
LED 10W	white	0,30	22172904-00	12	4000K - 930lm - CRI 80
			22172903-00		3000K - 890lm - CRI 80

Eco Lex 1 - DIMM - (2)					
		CLD CELL-D (IGBT)		LED (Ta=25°C)	
wattage	colour	weight	code	W	K - ølm - CRI
LED 10W	white	0,35	22172914-00	12	4000K - 1020lm - CRI 80
			22172918-00		3000K - 980lm - CRI 80

The shield consists of a laser-cut slab that serves as a lens for its effect of concentric circles. These decorations create a pattern with variable distances; the closer they get to the centre, the closer they come together, thereby achieving excellent visual comfort without glare.



**Housing:** in die cast aluminium.  
**LED:** Luminous flux maintenance L70B50: 40.000h.  
 Power factor >0.9



Protection guard for Ecolex 2	
black	22095031-00
For insulation in the ceiling.	

Protection guard for Ecolex 3	
black	22095032-00
For insulation in the ceiling.	

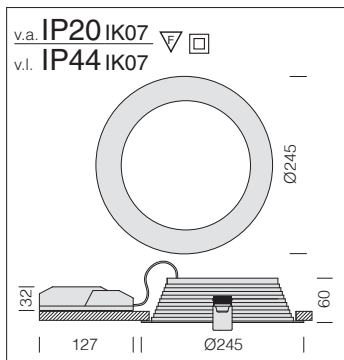
Eco Lex 2 - DIMM - (1)					
		CLD CELL-D (IGBT)		LED (Ta=25°C)	
wattage	colour	weight	code	W	K - ølm - CRI
LED 12W	white	0,50	22172915-00	16	4000K - 1380lm - CRI 80
			22172919-00		3000K - 1340lm - CRI 80

Dimmable version phase cutting IGBT dimming.

Eco Lex 3 - DIMM - (2)					
		CLD CELL-D (IGBT)		LED (Ta=25°C)	
wattage	colour	weight	code	W	K - ølm - CRI
LED 20W	white	0,75	22172916-00	23	4000K - 2190lm - CRI 80
			22172906-00		3000K - 2150lm - CRI 80

Dimmable version phase cutting IGBT dimming.

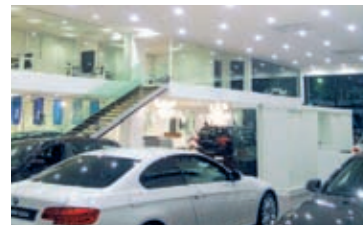
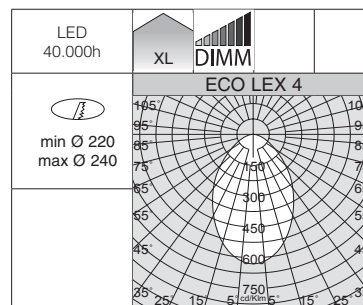
The shield consists of a laser-cut slab that serves as a lens for its effect of concentric circles. These decorations create a pattern with variable distances; the closer they get to the centre, the closer they come together, thereby achieving excellent visual comfort without glare.



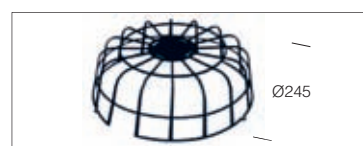
2150lm  
2190lm  
2800lm  
2840lm



**Housing:** in die cast aluminium.  
**LED:** Luminous flux maintenance L70B50: 40.000h.  
Power factor >0.9

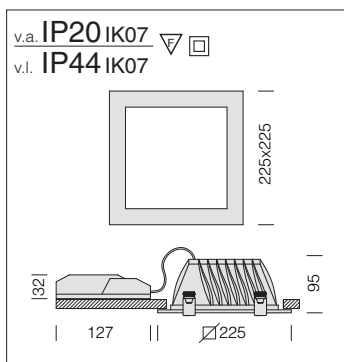


Eco Lex 4 - DIMM						
		CLD CELL-D (IGBT)		W	LED (Ta=25°C)	
wattage	colour	weight	code		K - ølm - CRI	
LED 32W	white	1,00	22172917-00	35	4000K - 2840lm - CRI 80	
			22172907-00		3000K - 2800lm - CRI 80	



Protection guard for Ecolex 4 - Eco lex 6	
black	22095033-00
For insulation in the ceiling.	

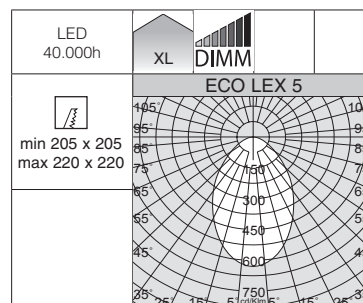
The shield consists of a laser-cut slab that serves as a lens for its effect of concentric circles. These decorations create a pattern with variable distances; the closer they get to the centre, the closer they come together, thereby achieving excellent visual comfort without glare.



2150lm  
2190lm



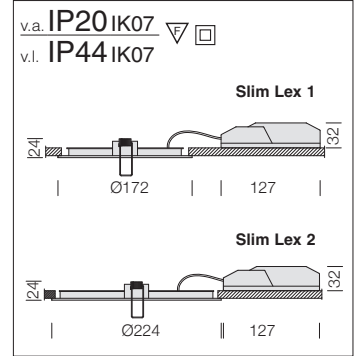
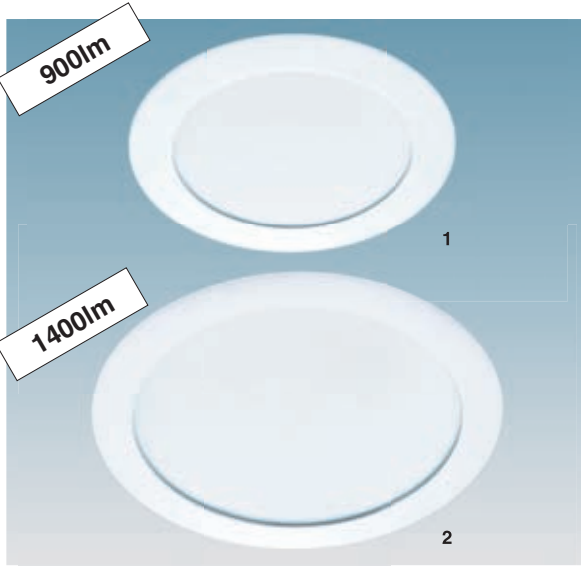
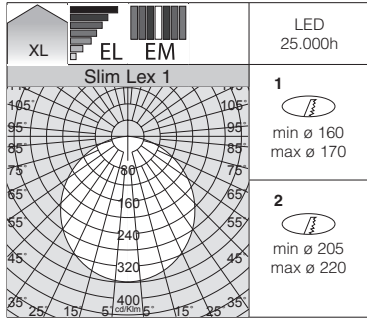
**Housing:** in die cast aluminium.  
**LED:** Luminous flux maintenance L70B50: 40.000h.  
Power factor >0.9



Eco Lex 5 - DIMM						
		CLD CELL-D (IGBT)		W	LED (Ta=25°C)	
wattage	colour	weight	code		K - ølm - CRI	
LED 20W	white	0,75	22172717-00	23	4000K - 2190lm - CRI 80	
			22172711-00		3000K - 2150lm - CRI 80	

Dimmable version phase cutting IGBT dimming. The shield consists of a laser-cut slab that serves as a lens for its effect of concentric circles. These decorations create a pattern with variable distances; the closer they get to the centre, the closer they come together, thereby achieving excellent visual comfort without glare.



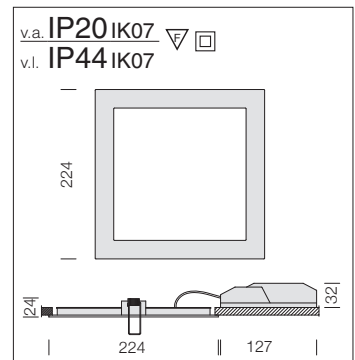
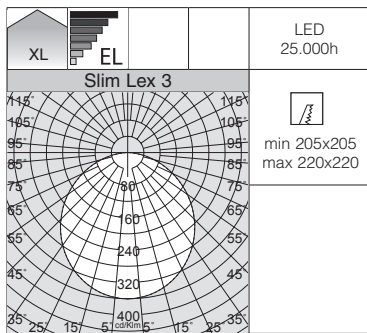


v.a. IP20 IK07  
v.l. IP44 IK07

**Housing:** in die cast aluminium.  
**Diffuser:** panel in PMMA  
**LED:** Luminous flux maintenance L70B50: 25.000h. Power factor >0.9  
**On request:** EM versions.

Slim Lex 1 - LED						
		CLD CELL		W	LED (Ta=25°C)	
wattage	colour	weight	code		K - ølm - CRI	
LED 11W	white	0,40	22169010-00	12	4000K - 900lm - CRI 80	
			22169011-00		3000K - 900lm - CRI 80	

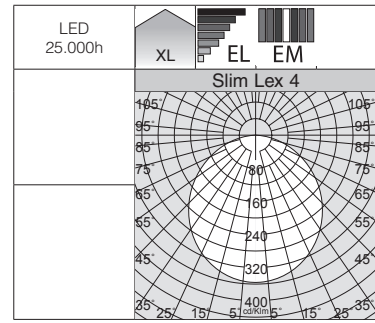
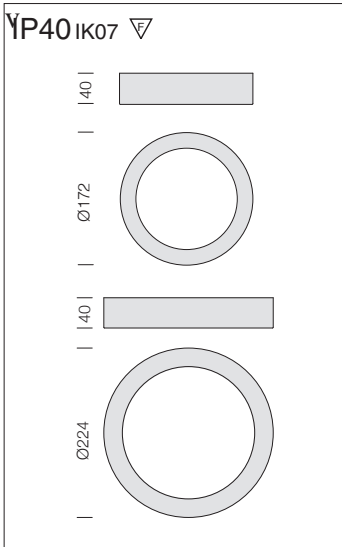
Slim Lex 2 - LED						
		CLD CELL	CLD CELL-E (1h)	CLD CELL-E (3h)	W	LED (Ta=25°C)
wattage	colour	weight	code	code		K - ølm - CRI
LED 16W	white	0,70	22169110-00	22169110-09	18	4000K - 1400lm - CRI 80
			22169111-00	22169111-09		3000K - 1400lm - CRI 80



v.a. IP20 IK07  
v.l. IP44 IK07

**Housing:** in die cast aluminium.  
**Diffuser:** panel in PMMA  
**LED:** Luminous flux maintenance L70B50: 25.000h. Power factor >0.9  
**On request:** EM versions.

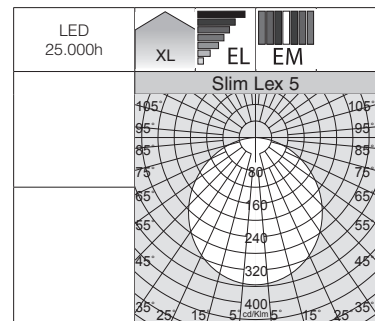
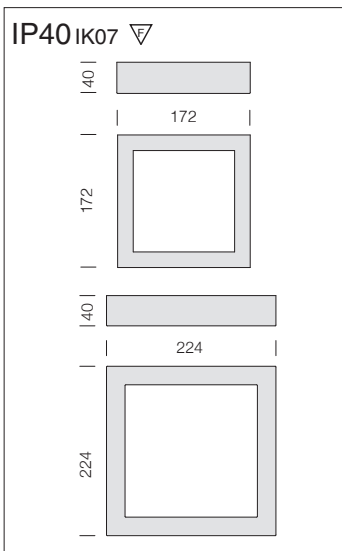
Slim Lex 3 - LED						
		CLD CELL		W	LED (Ta=25°C)	
wattage	colour	weight	code		K - ølm - CRI	
LED 16W	white	0,70	22169211-00	18	4000K - 1350lm - CRI 80	
			22169210-00		3000K - 1350lm - CRI 80	



**Housing:** in die cast aluminium.  
**Diffuser:** panel in PMMA  
**LED:** Luminous flux maintenance L70B50: 25.000h.  
 Power factor >0.9

Slim Lex 4 small - LED					
		CLD CELL		LED (Ta=25°C)	
wattage	colour	weight	code	W	K - ølm - CRI
LED 11W	white	0,50	22169314-00	12	4000K - 900lm - CRI 80
			22169313-00		3000K - 900lm - CRI 80

Slim Lex 4 - LED									
		CLD CELL		CLD CELL-E (1h)		CLD CELL-E (3h)		LED (Ta=25°C)	
wattage	colour	weight	code	code	code	W	K - ølm - CRI		
LED 16W	white	0,70	22169310-00	22169310-09	22169310-0957	18	4000K - 1400lm - CRI 80		
			22169311-00	22169311-09	22169311-0957		3000K - 1400lm - CRI 80		



**Housing:** in die cast aluminium.  
**Diffuser:** panel in PMMA  
**LED:** Luminous flux maintenance L70B50: 25.000h.  
 Power factor >0.9

Slim Lex 5 small - LED					
		CLD CELL		LED (Ta=25°C)	
wattage	colour	weight	code	W	K - ølm - CRI
LED 11W	white	0,60	22169414-00	12	4000K - 900lm - CRI 80
			22169413-00		3000K - 900lm - CRI 80

Slim Lex 5 - LED									
		CLD CELL		CLD CELL-E (1h)		CLD CELL-E (3h)		LED (Ta=25°C)	
wattage	colour	weight	code	code	code	W	K - ølm - CRI		
LED 16W	white	0,70	22169411-00	22169411-09	22169411-0957	18	4000K - 1350lm - CRI 80		
			22169410-00	22169410-09	22169410-0957		3000K - 1350lm - CRI 80		



FIXED RECESSED DOWNLIGHTS