



Housing: in die cast aluminium.

Diffuser: panel in PMMA, 6 mm thick, with laser silk-screening suitably dimensioned based on the power level of the LED.

Coating: Power-coated with a UV-resistant polyester epoxy paint.

Regulations: Manufactured in accordance with EN 60598-1-CEI 34.21 standards.
Degrees of protection in accordance with EN60529 standards.

LED: Luminous flux maintenance L70B50: 40.000h.

Power factor >0.9.

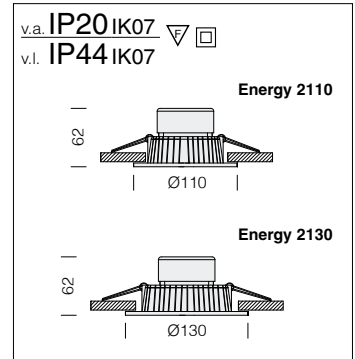
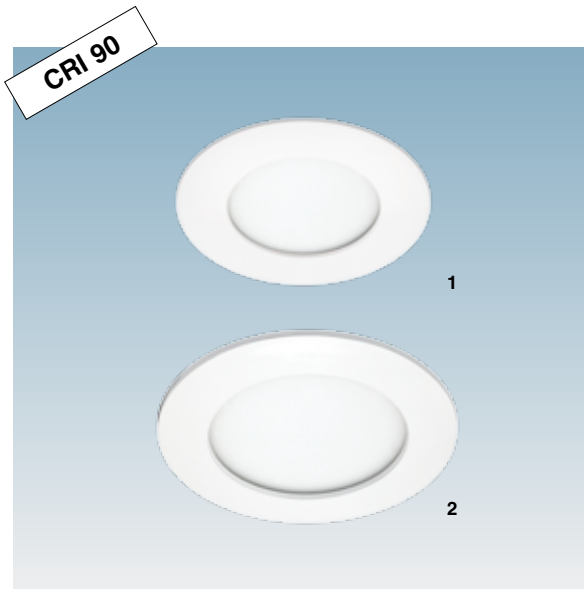
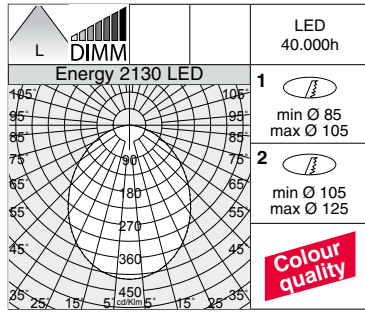
Photobiological safety class: Exempt group.

Flicker-Free: uniform light with no flicker for greater eye protection.



The right lighting and fixture play a vital role in facilitating sales. This is the reason why LED fixtures with a **CRI>90** are being requested. Therefore, the current trend is geared towards the manufacturing of more flexible fixtures, which also emit an excellent quality of light, while guaranteeing remarkable energy savings and lower maintenance costs.

The Colour Rendering Index (**CRI**) indicates how truthfully the artificial light source is able to reproduce the colours of objects. It varies from a range of **0 to 100**, where **0 represents the minimum** and **100 is the maximum**. Daylight is the best source of light from a physiological point of view because it contains the full colour spectrum. Therefore, a lamp with a high colour rendering index is very important to ensure the wellbeing and comfort of the occupants of a room and it is absolutely necessary in rooms where good visibility is required.



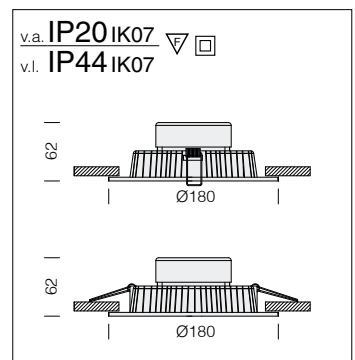
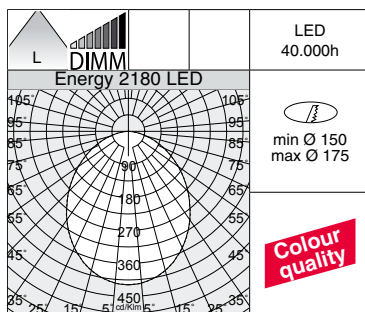
LED: Luminous flux maintenance L70B50: 40.000h. Power factor >0.9

Energy 2110 - DIMM (1)					
		CLD CELL-D (IGBT)		LED (Ta=25°C)	
wattage	colour	weight	code	W	K - ølm - CRI
LED 7W	white	0.60	22172610-00	8	3000K - 630lm - CRI 90
			22172613-00		4000K - 700lm - CRI 90

Dimmable version phase cutting IGBT dimming

Energy 2130 - DIMM (2)					
		CLD CELL-D (IGBT)		LED (Ta=25°C)	
wattage	colour	weight	code	W	K - ølm - CRI
LED 9W	white	1.00	22172310-00	12	3000K - 980lm - CRI 90
			22172313-00		4000K - 1050lm - CRI 90

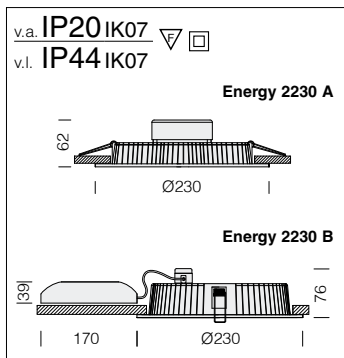
Dimmable version phase cutting IGBT dimming



LED: Luminous flux maintenance L70B50: 40.000h. Power factor >0.9

Energy 2180 - DIMM					
		CLD CELL-D (IGBT)		LED (Ta=25°C)	
wattage	colour	weight	code	W	K - ølm - CRI
LED 15W	white	1.00	22172513-00	16	3000K - 1350lm - CRI 90
			22172510-00		4000K - 1500lm - CRI 90

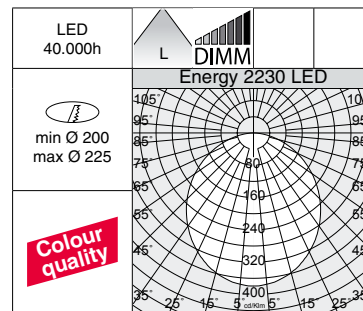
Dimmable version phase cutting IGBT dimming



CRI 90



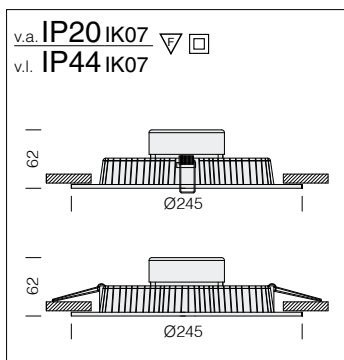
LED: Luminous flux maintenance L70B50: 40.000h. Power factor >0.9



Energy 2230 A - DIMM					
		CLD CELL-D (IGBT)		LED (Ta=25°C)	
wattage	colour	weight	code	W	K - ølm - CRI
LED 18W	white	1.00	22172211-00	22	3000K - 2100lm - CRI 90
			22172212-00		4000K - 2180lm - CRI 90

Dimmable version phase cutting IGBT dimming

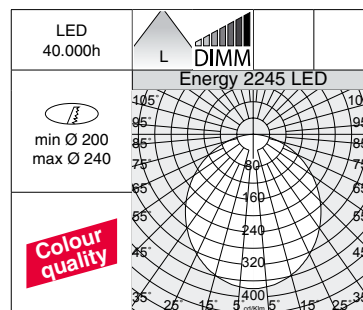
Energy 2230 B					
		CLD CELL		LED (Ta=25°C)	
wattage	colour	weight	code	W	K - ølm - CRI
LED 25W	white	1.00	22172214-00	28	3000K - 2700lm - CRI 90
			22172215-00		4000K - 3000lm - CRI 90



CRI 90



LED: Luminous flux maintenance L70B50: 40.000h. Power factor >0.9



Energy 2245 - DIMM					
		CLD CELL-D (IGBT)		LED (Ta=25°C)	
wattage	colour	weight	code	W	K - ølm - CRI
LED 21W	white	1.00	22172213-00	23	3000K - 2100lm - CRI 90
			22172210-00		4000K - 2180lm - CRI 90

Dimmable version phase cutting IGBT dimming